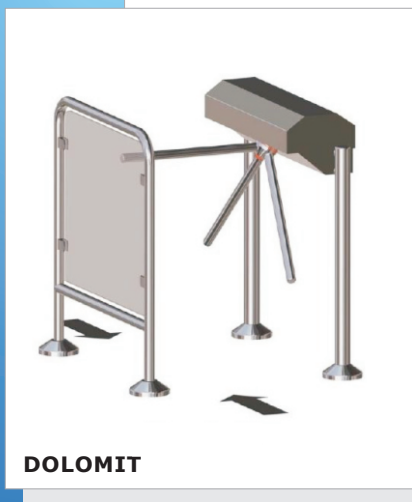




ARLBERG



DOLOMIT

- ONE OR TWO-DIRECTION DRIVE
- HEIGHT ADJUSTMENT
- RELEASE OR BLOCKING OF THE LOCKING MECHANISM IN CASE OF VOLTAGE DECAY
- OPTION: PROVISION OF A BANISTER (ARLBERG, DOLOMIT) AND BASE (ARLBERG)
- OPTION: RED AND GREEN LAMP: GATE CLOSED/OPEN
- TURNSTILE SAFE AGAINST UNAUTHORISED ACCESS
- LONG LIFE OF THE TURNSTILE
- HIGH RELIABILITY

ARLBERG and DOLOMIT turnstiles

The **ARLBERG and DOLOMIT turnstiles** serve to limit access of people to guarded places. These gates are fit for work in-house or outdoors. The turnstiles can cooperate with any personal traffic control systems such as:

- systems serving recreation facilities
- ticket systems
- access control systems
- time and attendance recording etc.

The gate base is made of galvanised steel and the top cover of powder painted steel in RAL 9006 colour (white aluminium). On request a stainless steel cover is available. The ARLBERG turnstile arms are made of aluminium, legs of stainless steel. The DOLOMIT turnstile legs and arms are of stainless steel.

OPERATION PRINCIPLE:

At rest the gate blocks the rotary arm; after a control pulse is applied the gate unblocks and the arm swings by an angle admitting only one person (120 deg.). The gate is provided with a drive activated after a small force is applied. An operating pushbutton or an external control device like a card reader, ticket reader or a control console can apply this signal.



we indicate directions

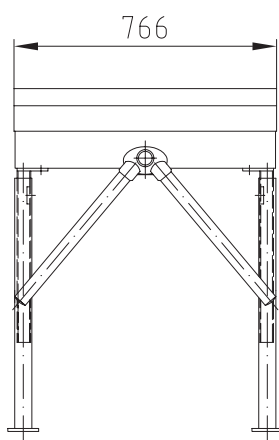


Technical parameters

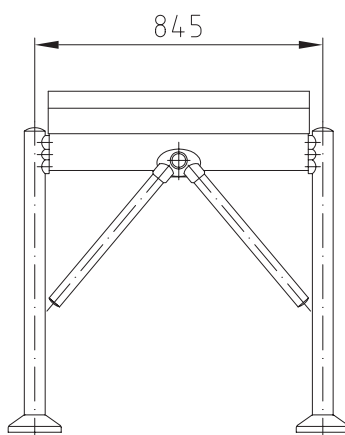
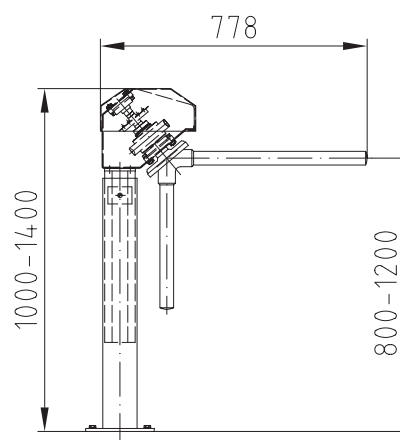
	Arlberg	Dolomit
Width (including arms):	828 mm	780 mm
Arm length across the passageway:	550 mm	550 mm
Length:	766 mm	905 mm
Height:	1000-1400 mm	1000 mm
Standard version net weight:	45 kg	
Safe transformer voltage:	220V AC \pm 12%	
Rated gate supply voltage:	12V AC	
Power consumption:	max. 50 VA	
Useful throughput:	500 person/h	
Working temperature range:	-20°C to +50°C	
Relative humidity:	max. 100%, condensation allowed	



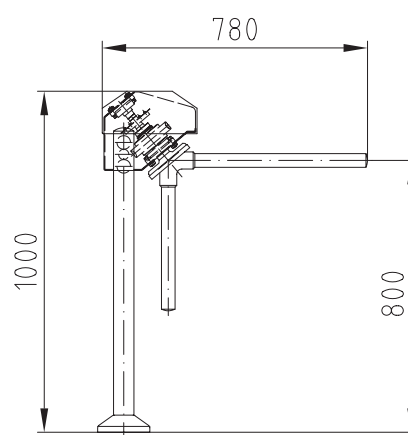
Technical diagram of devices



ARLBERG



DOLOMIT



UNICARD S.A.

HEADQUARTERS

ul. Wadowicka 12
30-415 Kraków
phone +48 12 39 89 900
fax +48 12 39 89 901
biuro@unicard.pl

Sales Dept.:

phone +48 12 39 89 910
fax +48 12 39 89 911
handlowy@unicard.pl

DIVISION WARSAW

ul. Ratuszowa 11
03-450 Warszawa
phone +48 22 24 47 200
fax +48 22 24 47 299
warszawa@unicard.pl

DIVISION POZNAŃ

Os. Polan 33
61-249 Poznań
phone +48 61 62 32 750
fax +48 61 87 29 630
poznan@unicard.pl